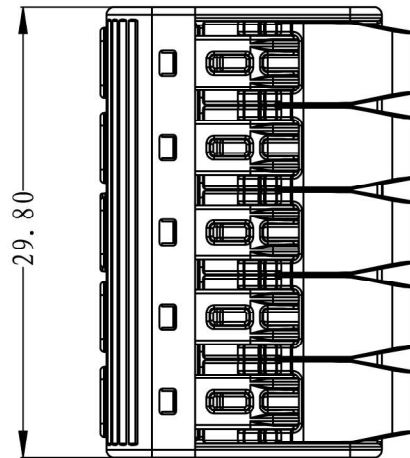


2.80



SERIAL NUMBER: Q/KR.C09-05-186

ZHONGSHAN HCF ELECTRONIC TECHNOLOGY CO., LTD				MODEL NO: <b>UC05</b>			
DRAWN		DATE		EDITION	A	SCALE	2: 1