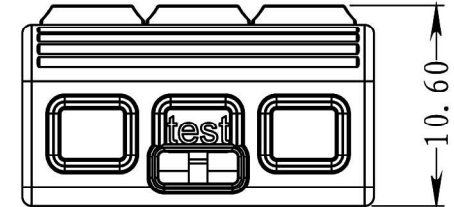
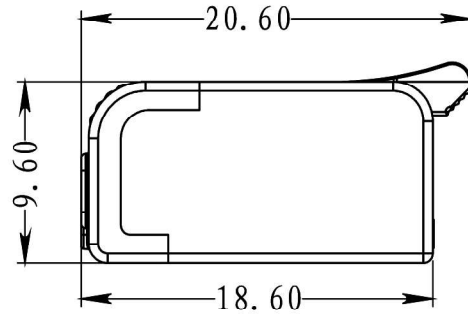
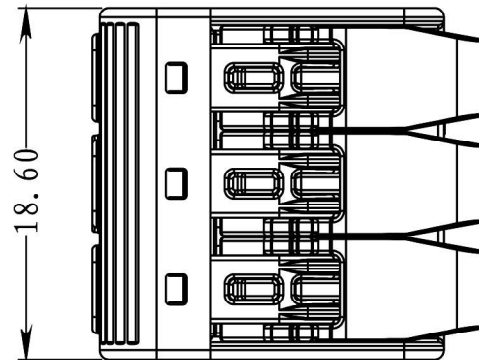


2.80



10.60



18.60

SERIAL NUMBER: Q/KR.C09-05-186

| | | | | | | | |
|---|--|------|--|----------------------------|---|-------|-------|
| ZHONGSHAN HCF ELECTRONIC TECHNOLOGY CO., LTD | | | | MODEL NO: P04-3P | | | |
| DRAWN | | DATE | | EDITION | A | SCALE | 2.5:1 |