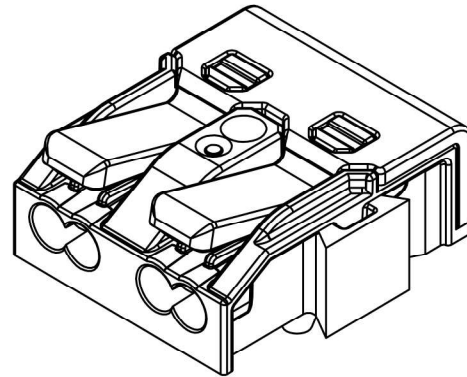
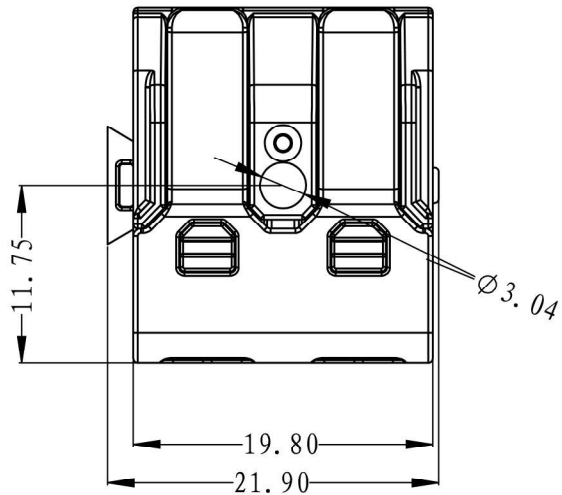
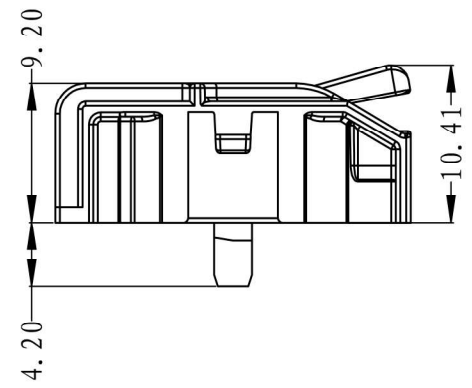
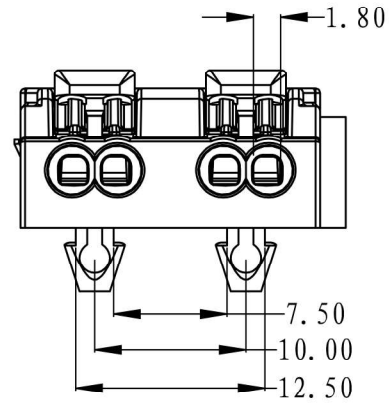
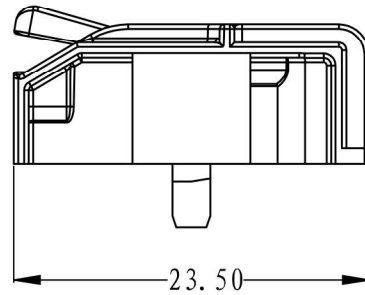
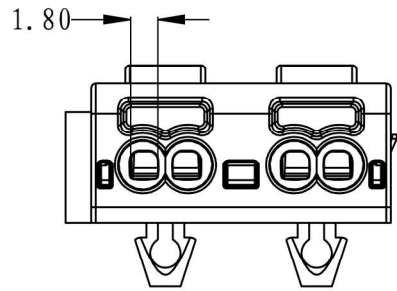
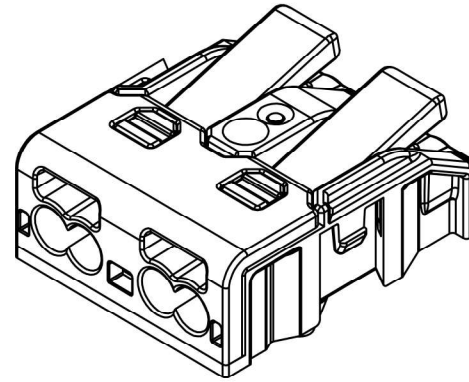
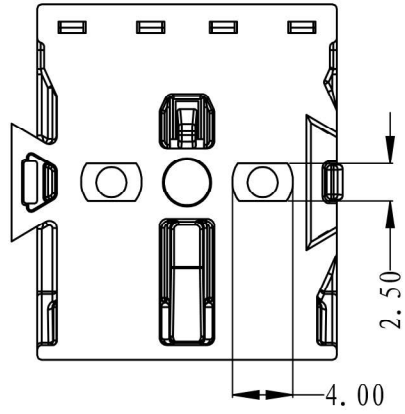


SERIAL NUMBER: Q/KR. C09-05-186

ZHONGSHAN HCF ELECTRONIC TECHNOLOGY CO., LTD				MODEL NO: P02-M2			
DRAWN		DATE		EDITION	A	SCALE	2: 1



SERIAL NUMBER: Q/KR.C09-05-186

ZHONGSHAN HCF ELECTRONIC TECHNOLOGY CO., LTD			MODEL NO: P02-M2J			
DRAWN	DATE		EDITION	A	SCALE	2: 1