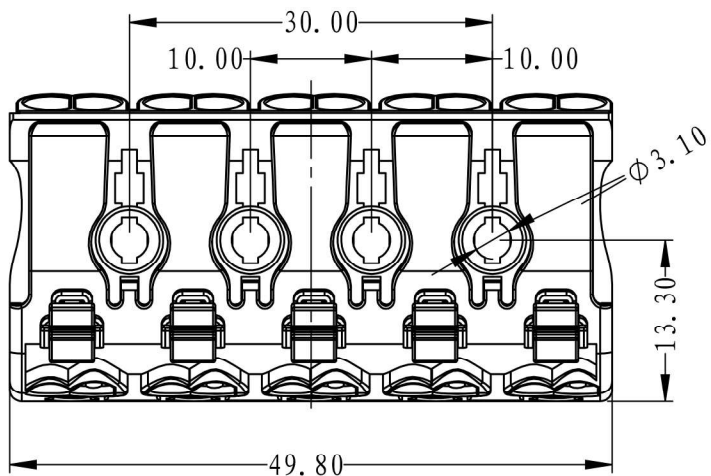
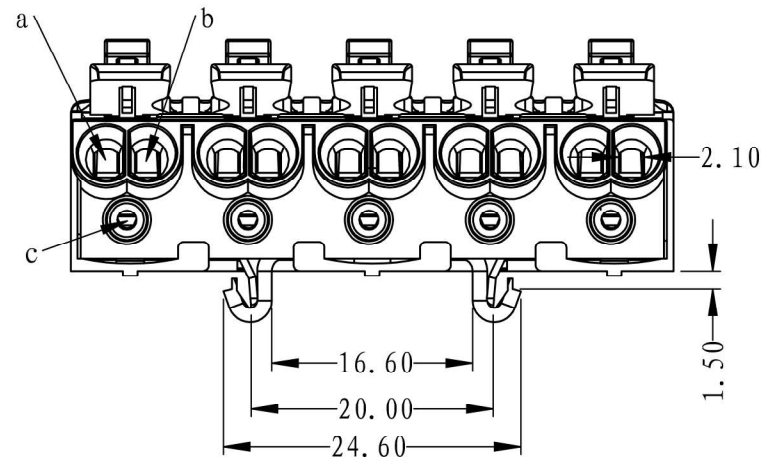
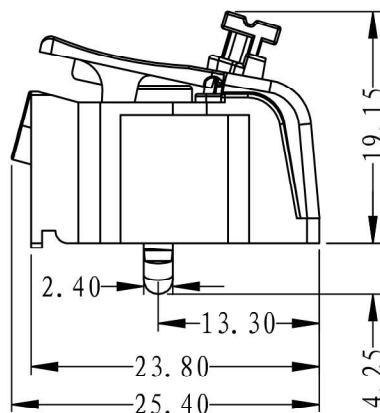
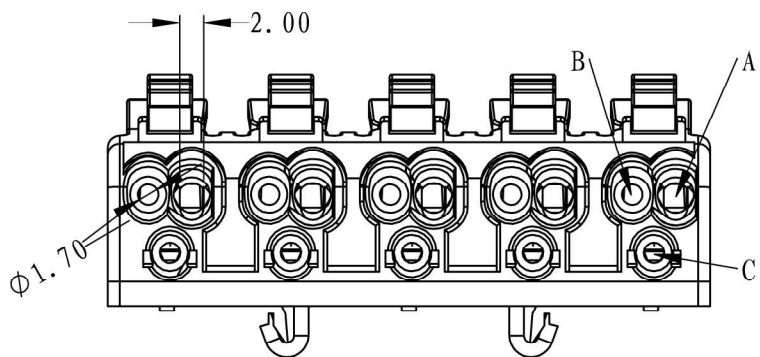
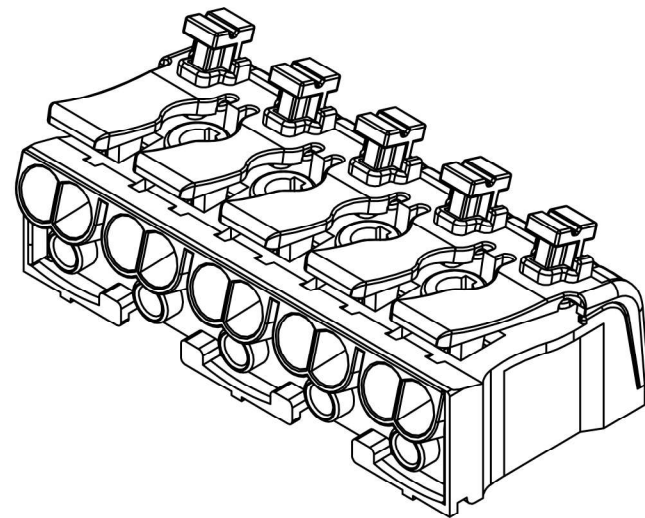
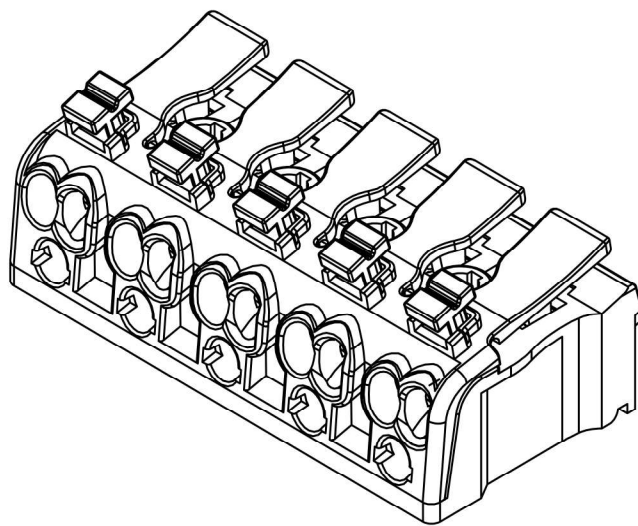
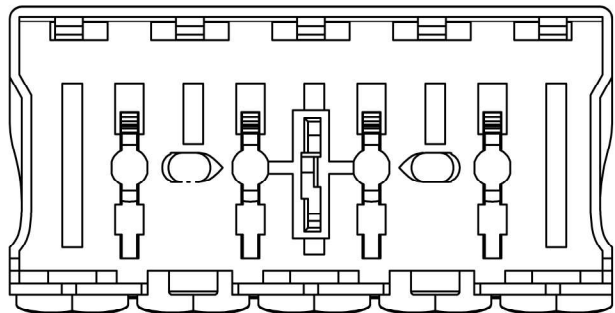


SERIAL NUMBER: Q/KR.C09-05-186

ZHONGSHAN HCF ELECTRONIC TECHNOLOGY CO., LTD			MODEL NO: P02-D5			
DRAWN	DATE	EDITION	A	SCALE	1.6:1	



SERIAL NUMBER: Q/KR.C09-05-186

ZHONGSHAN HCF ELECTRONIC TECHNOLOGY CO., LTD			MODEL NO: P02-D5J			
DRAWN	DATE	EDITION	A	SCALE	1.6:1	