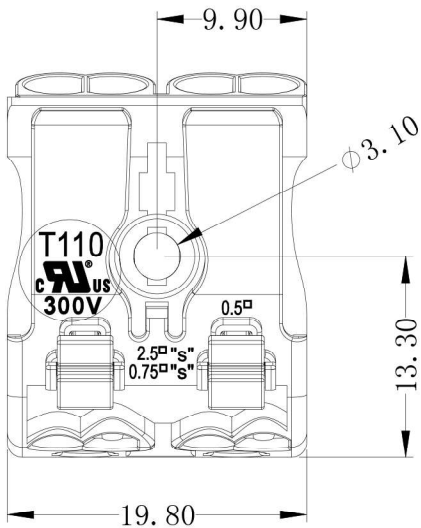
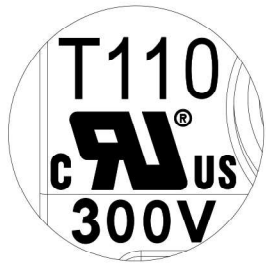
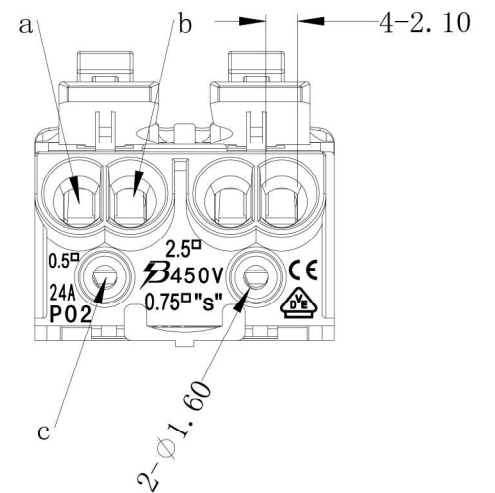
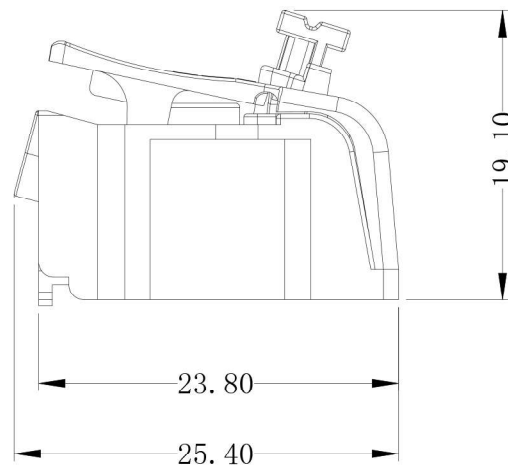
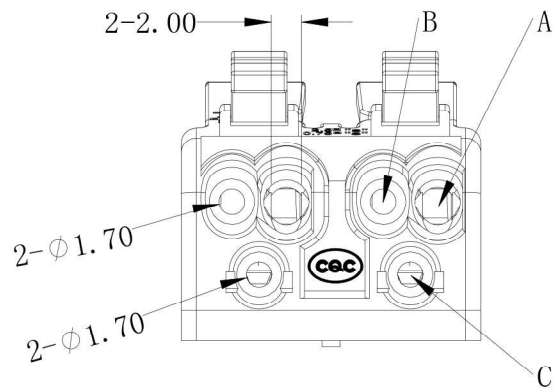
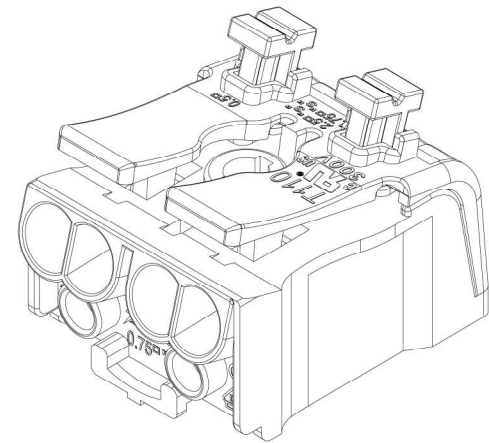
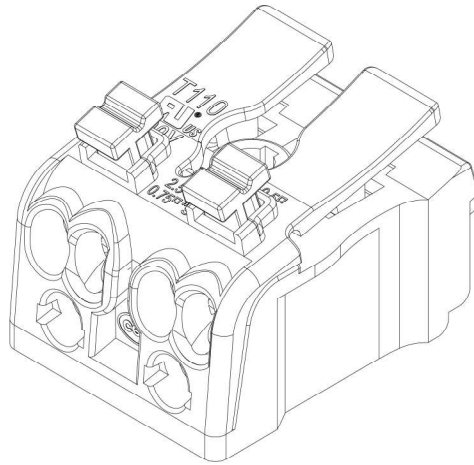
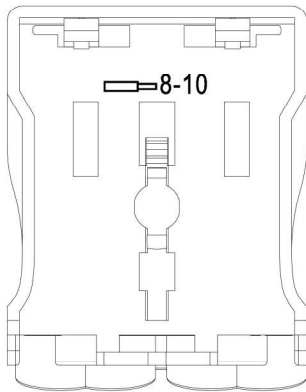


SERIAL NUMBER: Q/KR.C09-05-186

ZHONGSHAN HCF ELECTRONIC TECHNOLOGY CO., LTD			MODEL NO: P02-D2J/9			
DRAWN	DATE		EDITION	A	SCALE	2:1



SERIAL NUMBER: Q/KR.C09-05-186

ZHONGSHAN HCF ELECTRONIC TECHNOLOGY CO., LTD			MODEL NO: P02-D2/9		
DRAWN	DATE	EDITION	A	SCALE	2:1