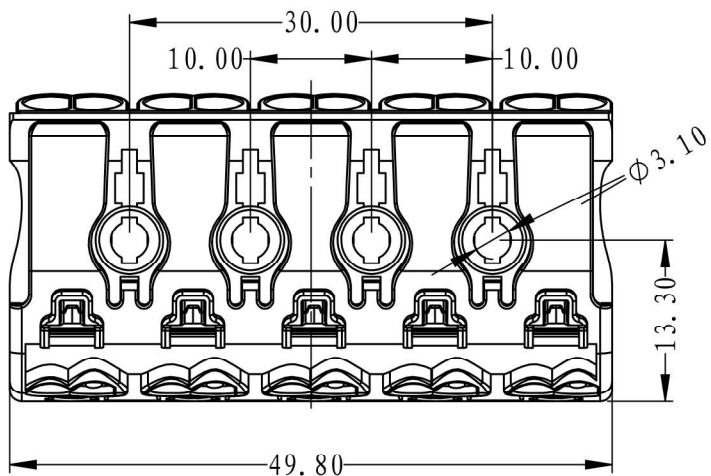
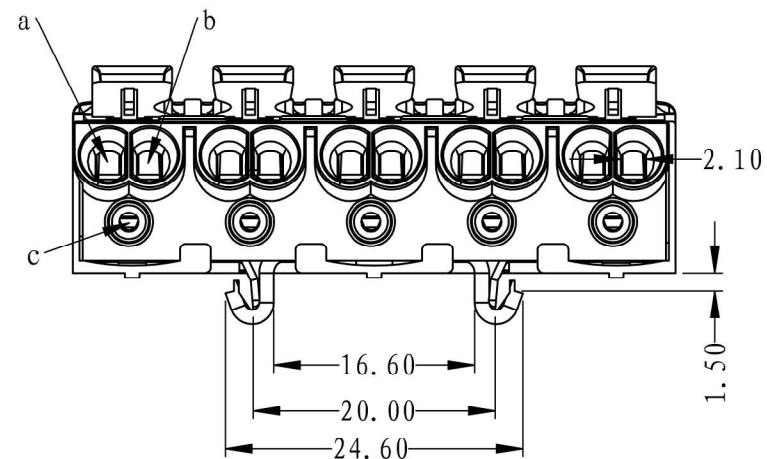
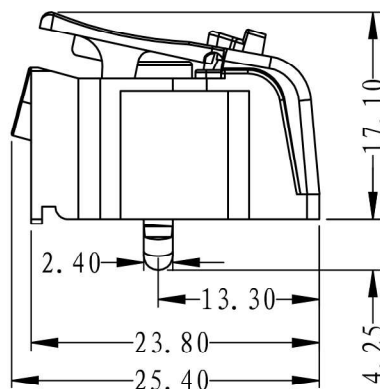
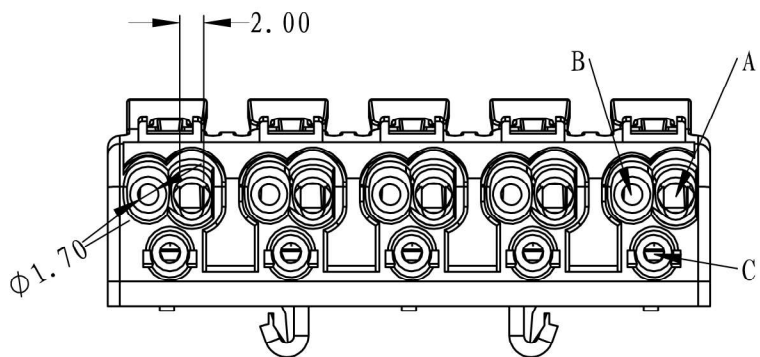
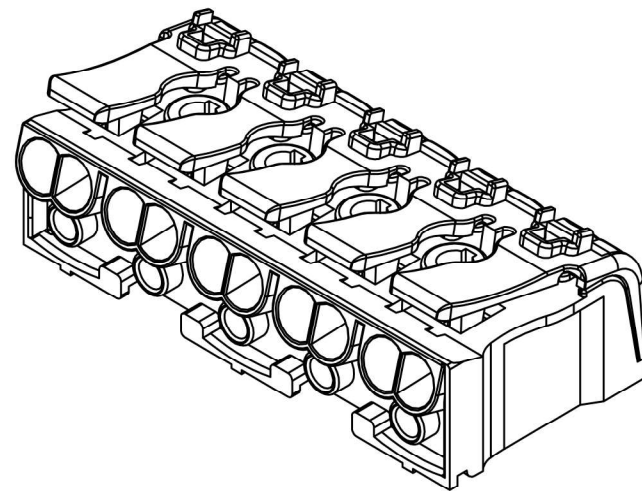
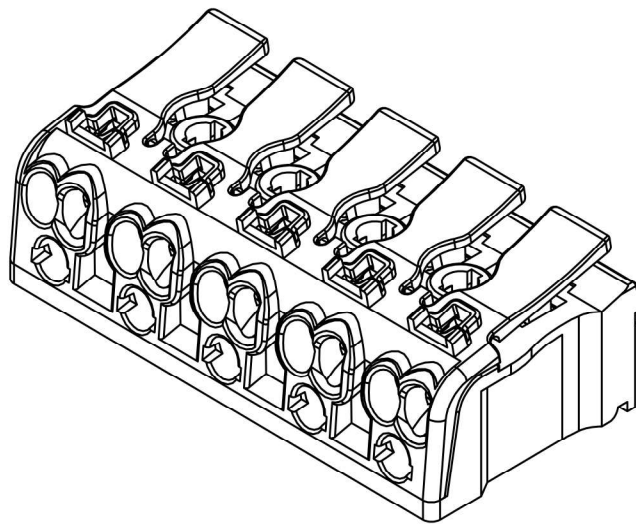
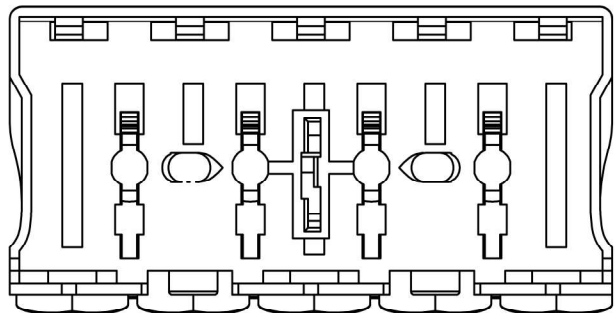


SERIAL NUMBER: Q/KR.C09-05-186

ZHONGSHAN HCF ELECTRONIC TECHNOLOGY CO., LTD				MODEL NO: P02-5			
DRAWN		DATE		EDITION	A	SCALE	1.6:1



SERIAL NUMBER: Q/KR.C09-05-186

ZHONGSHAN HCF ELECTRONIC TECHNOLOGY CO., LTD			MODEL NO: P02-5J		
DRAWN	DATE	EDITION	A	SCALE	1.6:1