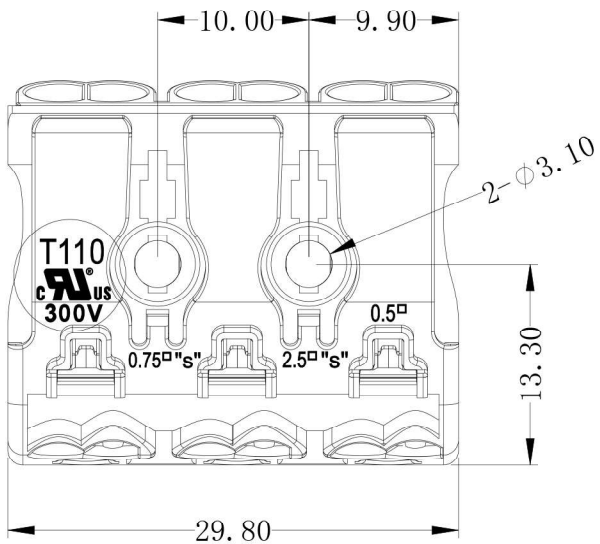
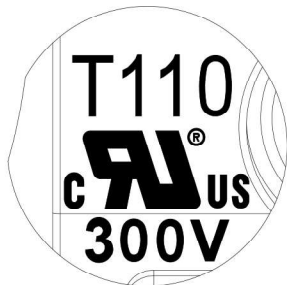
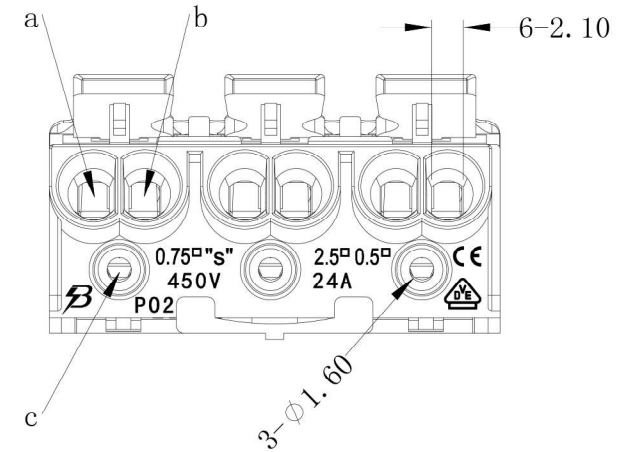
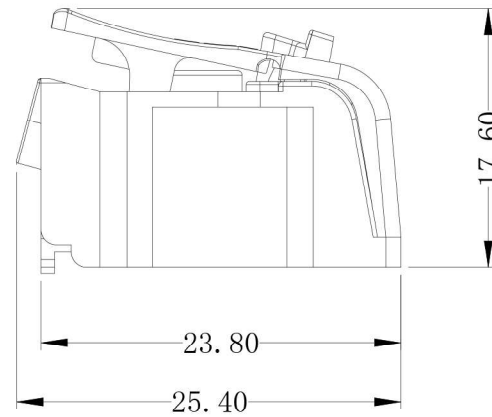
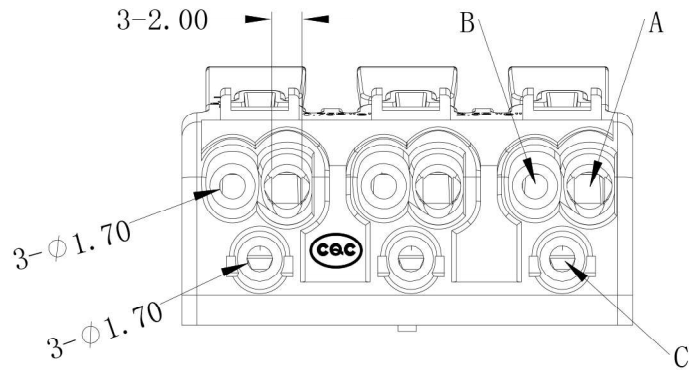
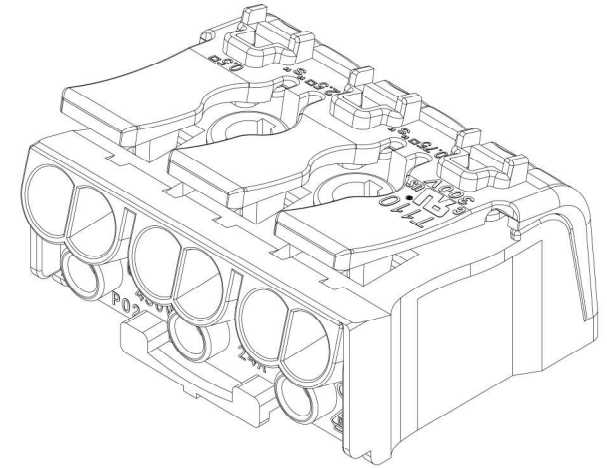
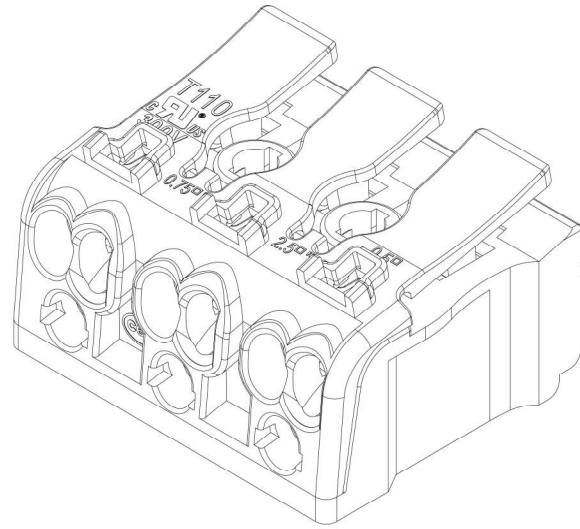
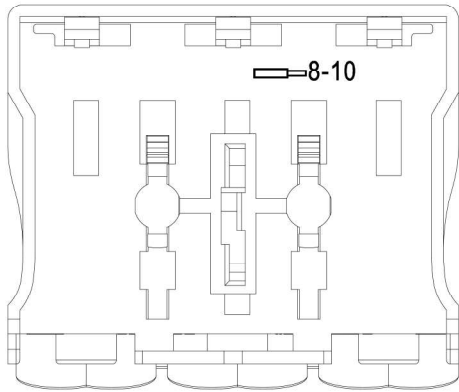


SERIAL NUMBER: Q/KR.C09-05-186

ZHONGSHAN HCF ELECTRONIC TECHNOLOGY CO., LTD			MODEL NO: P02-3J/9		
DRAWN	DATE	EDITION	A	SCALE	2:1



SERIAL NUMBER: Q/KR.C09-05-186

ZHONGSHAN HCF ELECTRONIC TECHNOLOGY CO., LTD			MODEL NO: P02-3/9		
DRAWN	DATE	EDITION	A	SCALE	2:1