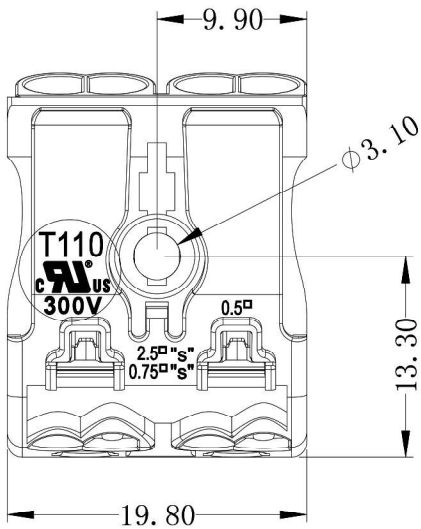
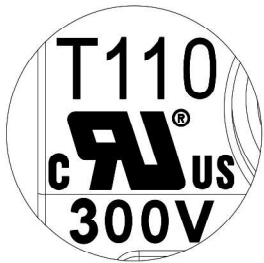
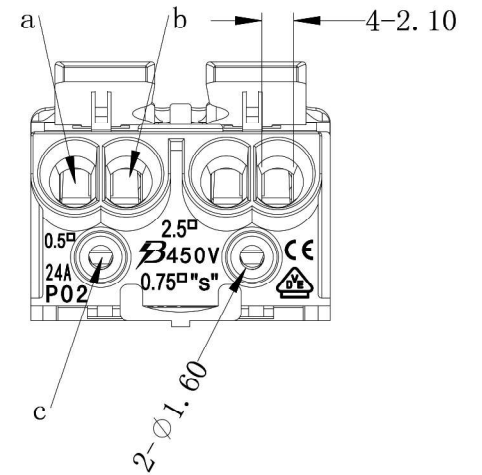
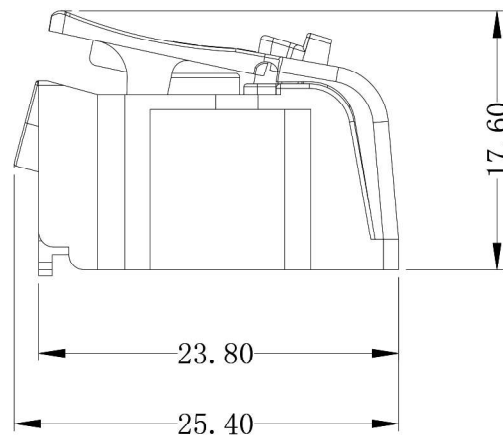
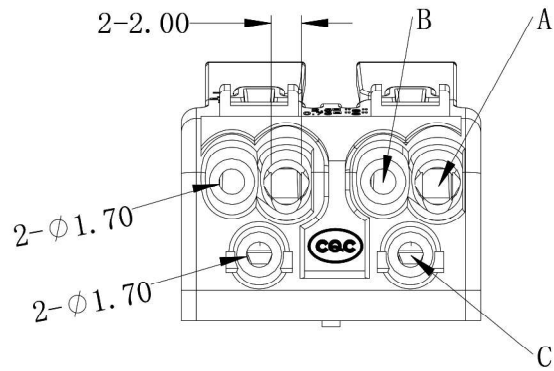
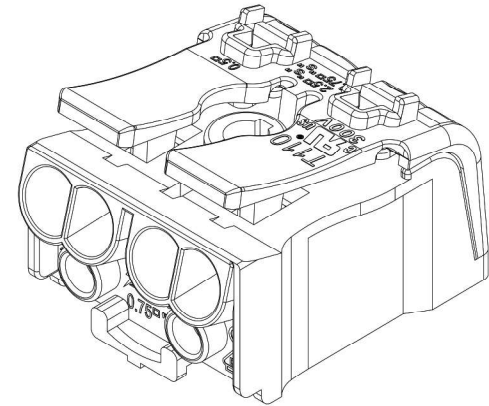
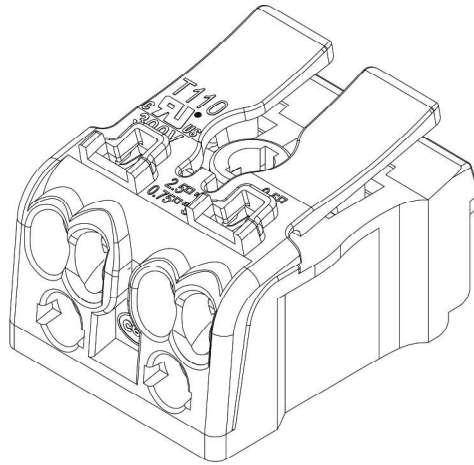
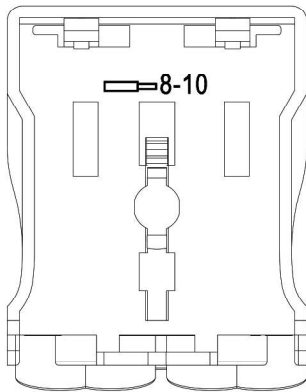


SERIAL NUMBER: Q/KR.C09-05-186

| | | | | | | |
|---|------|---------|-----------------------|-------|-----|--|
| ZHONGSHAN HCF ELECTRONIC TECHNOLOGY CO., LTD | | | MODEL NO: P02-2J/9 | | | |
| DRAWN | DATE | EDITION | A | SCALE | 2:1 | |



SERIAL NUMBER: Q/KR.C09-05-186

| | | | | | |
|---|------|---------|----------------------|-------|-----|
| ZHONGSHAN HCF ELECTRONIC TECHNOLOGY CO., LTD | | | MODEL NO: P02-2/9 | | |
| DRAWN | DATE | EDITION | A | SCALE | 2:1 |